

Safetytherm Plate Heat Exchangers



Plate duo is always on the safe side

With Safetytherm, our experts from GEA PHE Systems have succeeded in designing an extremely reliable version of a conventional sealed plate heat exchanger. Two extremely thin plates with welded inlet and outlet openings form a small leakage gap within a double-wall plate. In the seldom event of a plate crack occurring, this clever solution with special leakage channels ensures that a mixture of a non-compatible media is excluded and the leakage is visible.

The compact design and function of Safetytherm meets the high standards which one can expect from a leader like GEA. Our customers can be certain of one thing: Safetytherm is a shining example of an effective and low-maintenance double-plate solution which guarantees a high level of production safety.

Your benefits at a glance

- high level of production safety
- effective heat transfer
- compact design
- low leakage risk
- easy maintenance

Safetytherm Series: Technical data

Heat Transfer Plate: 316L Stainless Steel.

Gasket: NBR, EPDM, Viton, and others on request.

Port Connection: Unlined, Metal Lined, Raised Welded Neck Flange and others on request.

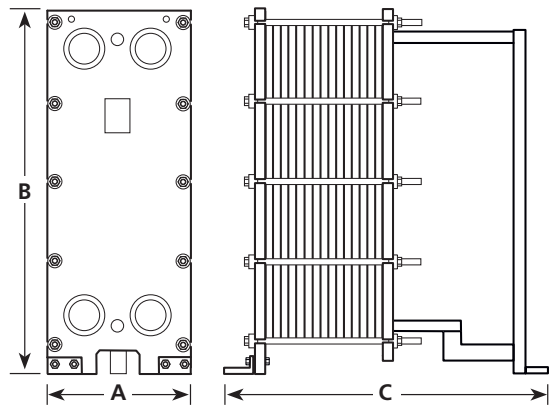
Maximum Design Pressure: 230 psig (16 barg)

Maximum Design Temperature: 370°F (190°C), depending on gasket selection

Approximate Maximum Liquid Flow Rate:

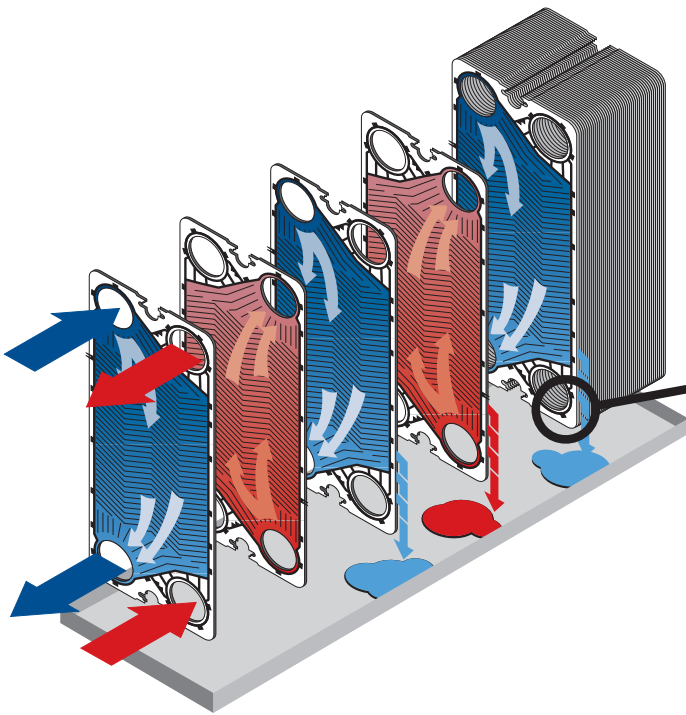
VT20 Safetytherm: 440 gpm (100m³/hour)

VT40 Safetytherm: 924 gpm (210m³/hour)



Model	Connection Size	Dim. A	Dim. B	Dim. C
VT20 Safetytherm	3" (DN80)	21.4" (620mm)	56.6" (1488mm)	Up to 127" (3235mm)
VT40 Safetytherm	5" (DN 125)	28.0" (710mm)	74.2" (1885mm)	Up to 139" (3535mm)

*Approximate, varies with design requirements.



The specifications contained in this printing are intended only to serve the nonbinding description of our products and services are not subject to guarantee. Binding specifications, especially pertaining to performance data and suitability for specific operating purposes, are dependent upon the individual circumstances at the operation location and can, therefore, only be made in terms of precise requests.

Your contact:

GEA Heat Exchangers

PHE Systems

GEA Heat Exchangers, Inc. PHE Division
100 GEA Drive, York, PA 17406 USA
Tel: 1-717-268-6200 · 1-800-774-0474
Fax: 1-717-268-6162
info.phe-systems.usa@geagroup.com
www.gea-phe.com/usa

PHE Systems

GEA Canada, Inc.
30 Via Renzo Drive, Suite 266
Richmond Hill, ON L4S 0B8 Canada
Tel: 1-647-933-4500, Fax: 1-647-933-2909
info.phe-systems.canada@geagroup.com
www.gea-phe.com/canada

PHE Systems

GEA Process Engineering México S.A. de C.V.
Lomas Verdes 791-4, Col. Jardines de Satelite, Naucalpan, CP 53129
Edo. de México, México
Tel: +52 55 21291161, Fax: +52 55 53439923
info.phe-systems.mexico@geagroup.com
www.gea-phe.com/usa